

TE720

Technical data*

PERFORMANCE

Working height, max. (600 kg)	66,80 m
Working height, max. (320 kg)	71,60 m
Working height, max. (100 kg)	71,60 m
Platform height, max. (600 kg)	64,80 m
Platform height, max. (320 kg)	69,60 m
Platform height, max. (100 kg)	69,60 m
Horizontal outreach, max. (600 kg)	32,00 m
Horizontal outreach, max. (320 kg)	37,00 m
Horizontal outreach, max. (100 kg)	42,00 m
Negative reach, max.	17,00 m
Up and over clearance, max.	46,00 m
Platform capacity, max.	600 kg
Jib, movable	220°
Platform, rotatable	2 x 220°
Turntable rotation, max.	500°
Slope angle, max.	9,0°

MEASUREMENTS*

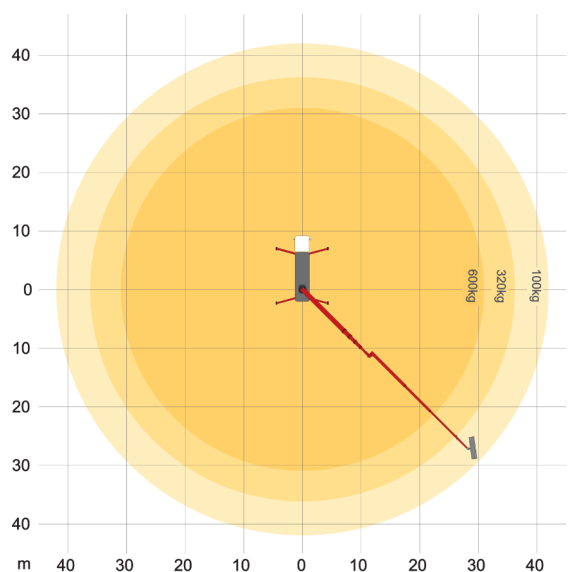
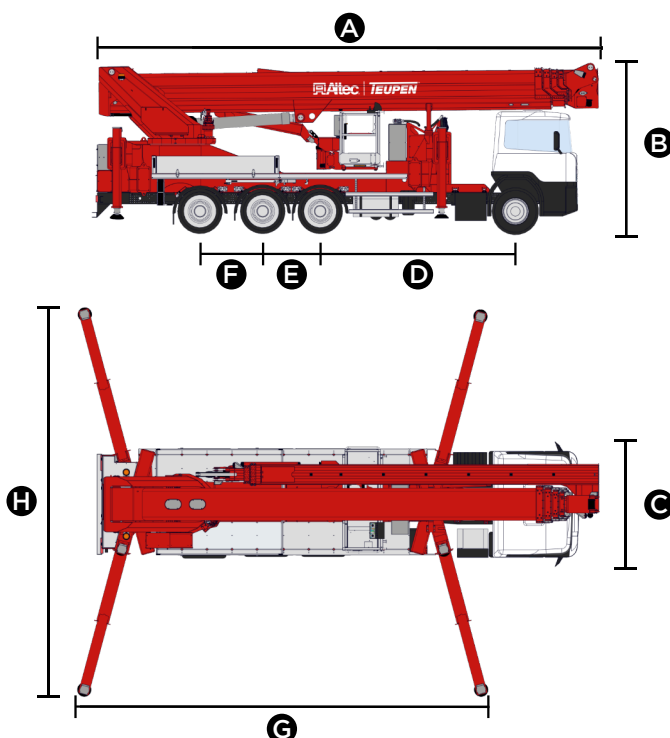
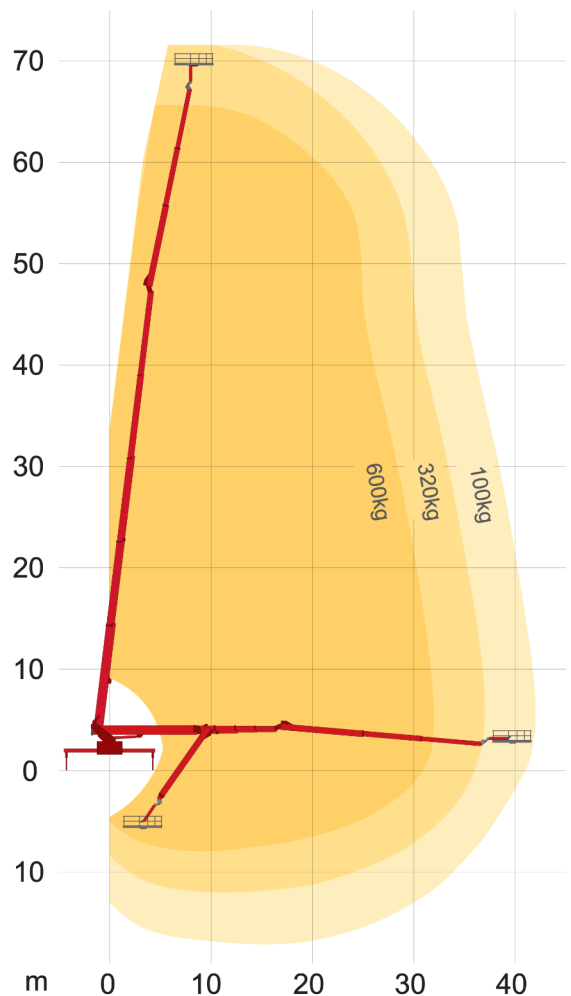
Telescopic platform height	1,28 m
Telescopic platform length, min. / max.	2,40 m / 3,80 m
Telescopic platform width	0,95 m
Length (A)	11,80 m
Height (C)	3,96 m
Width (B)	2,48 m
Centre distance (D) / (E) / (F)	4,55 m / 1,35 m / 1,45 m

Stabilisation

Länge, max. (G)	12,20 m
Breite, max. (H)	9,00 m
Point load per outrigger plate, max.	260,00 kN

VEHICLE

Manufacturer	Scania
Type	P 500
Cabin	P Long
Power	500 hp
Emissions class	Euro 6
Axles	8 x 4 * 4
Permissible total weight	32000 kg



STANDARDS

Harmonised standard DIN EN 280:2016

The technical data may deviate +/- 3% from the specified values.
 * Preliminary technical data - subject to change.
 ** Weight and dimensions may vary depending on options and accessories.

TE720

Equipment



VEHICLE

- Can be mounted on various Scania, MAN and Volvo models.
- Structure of boom system allows long cab, e.g. for sleeper cab.
- Rear view camera fitted by vehicle manufacturer.
- Vehicle length of less than 12.00 metres allows approval without special permit.

STABILISATION

- Infinitely variable stabilisation for dynamically adapted outreach.
- More working area in a 100% circular layout thanks to an innovative stabiliser footprint.
- Electro-hydraulic automatic stabiliser system with infinite number of positions.
- The radio remote control gives operator direct overview of the exact position at any time.
- Excellent visibility in the traffic area thanks to lighting of the stabilizer area and flashing lights on the stabilisers.
- No manual positioning of the stabiliser pads required for setup.

BOOM SYSTEM

- Telescopic upper & lower booms made of steel profiles with a large up- and overreach of 46 m.
- Powerful hydraulics ensure smooth and safe platform operation, even under load.
- Maximum positioning flexibility thanks to rotating basket (2 x 220°) and 220° movable jib.
- Basket with plate holder and load hooks (payload 300 kg or 400 kg).
- Hydraulically telescoping basket offers sufficient space for operators with tools and materials.
- Wind meter with wind speed indication on the display.
- Space-saving folding seat in the basket.

CONTROLS

- Easy-to-operate control system for fast and safe operation.
- Intuitive TEUPEN operating concept and a choice of three other standard operating concepts.
- Two large colour displays (1x workman basket, 1x vehicle rear).
- Additional control terminal with current operating data of the working platform in the driver's cab.
- Lighting control possible via all displays.
- Two cameras at the articulation point of the work platform (1x towards the vehicle and 1x towards the basket) with display via operating displays.
- Start-to-work function with four starting positions: Basket is positioned close to the ground for entry.
- Memory function: Any position can be stored and retrieved (two memory locations).
- Coming home function - automatic return of the boom into transport position
- Additional radio remote control for convenient operation of the stabilisers and platform with all-round visibility from the ground.
- Start-Stop switch of truck engine from the basket

PRODUCTIVITY, SAFETY, QUALITY

- Hydraulic power generator with 6.5 kVA enables extensive use of tools in the basket.
- Preparation for various remote access systems, e.g. for remote diagnostics.
- Collision protection on the basket.
- Connections in the basket:
 - Electrical 24 V / 230 V / 400 V
 - Hydraulic ETHMA class D
- LED work lighting in and on the basket, on the booms and for the work areas on the ground for optimum visibility.
- Machine operating data is displayed in the display, including
 - Oil level and temperature
 - Fuel level
 - Load torque limiter display
 - Current basket load and reserves
- Emergency controls from the ground via the radio remote control.
- Intercom system via radio for basket to ground communication.
- Lockable storage box at the rear. Further customisable storage boxes available on request.
- 4x robust stabiliser plates incl. transport bracket.
- High-quality standard paint finish of the boom in RAL 3020 (red) and the hydraulic cylinder in RAL 9006 (white aluminium).
- Sending service information via QR code shown on the display.
- Easy maintenance access with lighting and intuitive diagnostic function.

OPTIONS & ACCESSORIES**

- Custom paintwork, one colour, according to RAL scheme***
- Custom paintwork, two colours, according to RAL scheme***
- Additional Flashlights on the boom system
- 1 LED headlight (platform)
- Additional sensory collision protection under the basket

CONTACT

TEUPEN Maschinenbau GmbH
Marie-Curie-Str. 13
48599 Gronau, Germany

Phone +49 2562 8161 0
Fax +49 2562 8161 888
E-Mail mail@teupen.com



2025-A_EN

* Preliminary technical data - subject to change.

** Weight and measurements may vary depending on options and accessories.

*** Except metallic coatings, signal- or special colours.

Product specifications are subject to change without notice or obligation. Photographs and drawings in this document are for illustrative purposes only. Refer to the appropriate Operator's Manual for instructions on the proper use of this equipment. Failure to follow the appropriate Operator's Manual when using our equipment or to otherwise act irresponsibly may result in serious injury or death. The only warranty applicable to our equipment is the standard written warranty applicable to the particular product and sale and we make no other warranty, expressed or implied. Products and services listed may be trademarks, service marks or trade-names of TEUPEN Maschinenbau GmbH and/or its corporate entities in the U.S.A. and many other countries. "TEUPEN", "Access redefined" and "LEO Series" are registered Trademarks of Teupen GmbH in the United States of America and many other countries. © 2025 TEUPEN Maschinenbau GmbH.